

FAIRLAND®

100% Green iGarden

Spare Parts Catalog of INVERX - 2024 Season

(Heating and Cooling)



(IXCR21~IXCR110T)

CONTENTS

Spare Parts Picture	03
IXCR21	04-05
IXCR28	06-07
IXCR36	08-09
IXCR43	10-11
IXCR46	12-13
IXCR56	14-15
IXCR66	16-17
IXCR80	18-19
Spare Parts Picture	20-21
IXCR80T.....	22-23
IXCR110T.....	24-25



①

Integrated board (Heat&Cool)



②

Oval touch controller



③

Power filter plate



④

Reactor (big)



⑤

Electronic expansion valve



⑥

4-way valve



⑦

Water flow switch



⑧

Fan motor



⑨

Full set of sensors



⑩

Compressor



⑪

Titanium heat exchanger (Heat&Cool)



⑫

Evaporator



⑬

High pressure protection switch



⑭

Low pressure protection switch



⑮

Low pressure valve



⑯

Liquid reservoir



⑰

Water union



⑱

Water union gasket



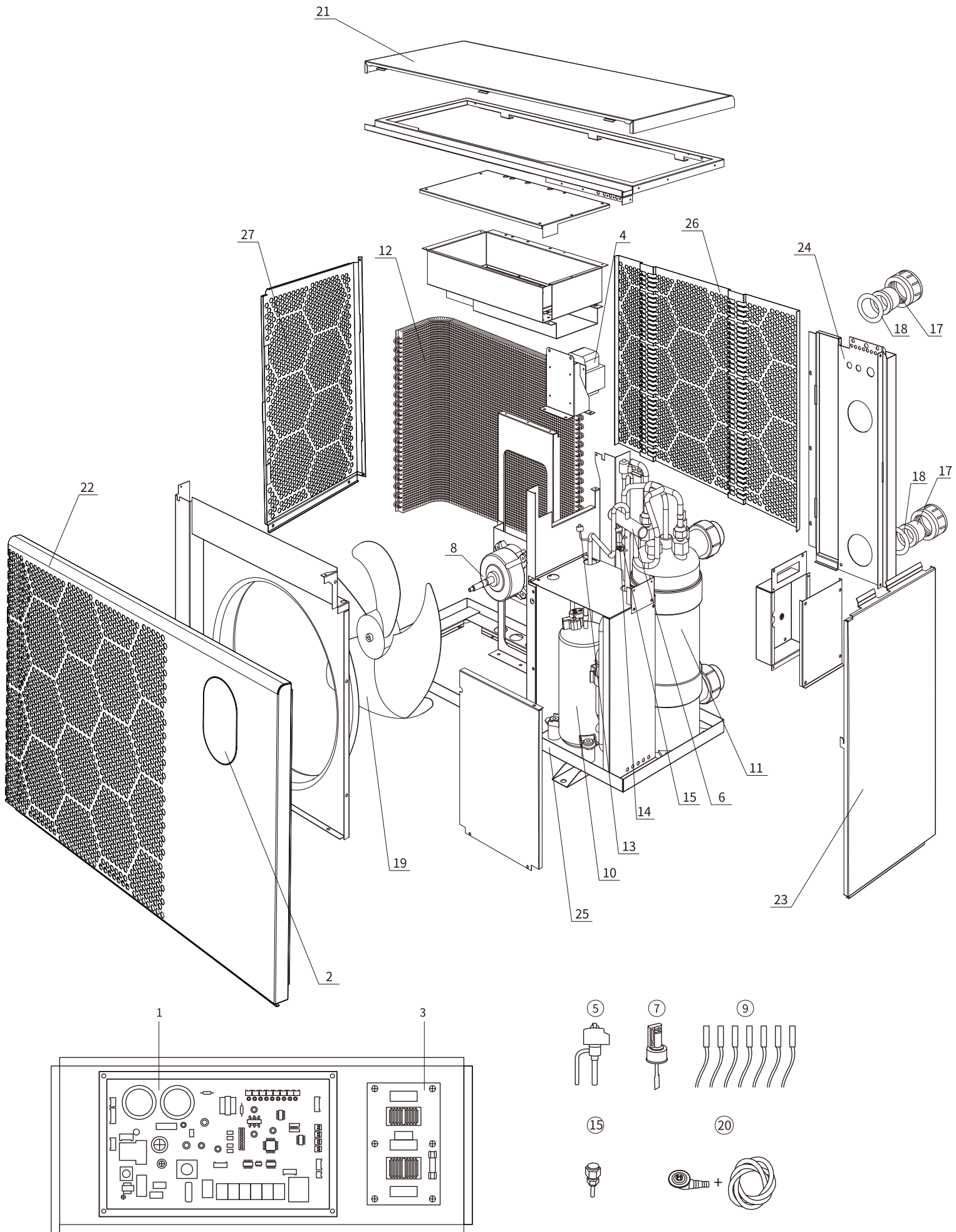
⑲

Fan



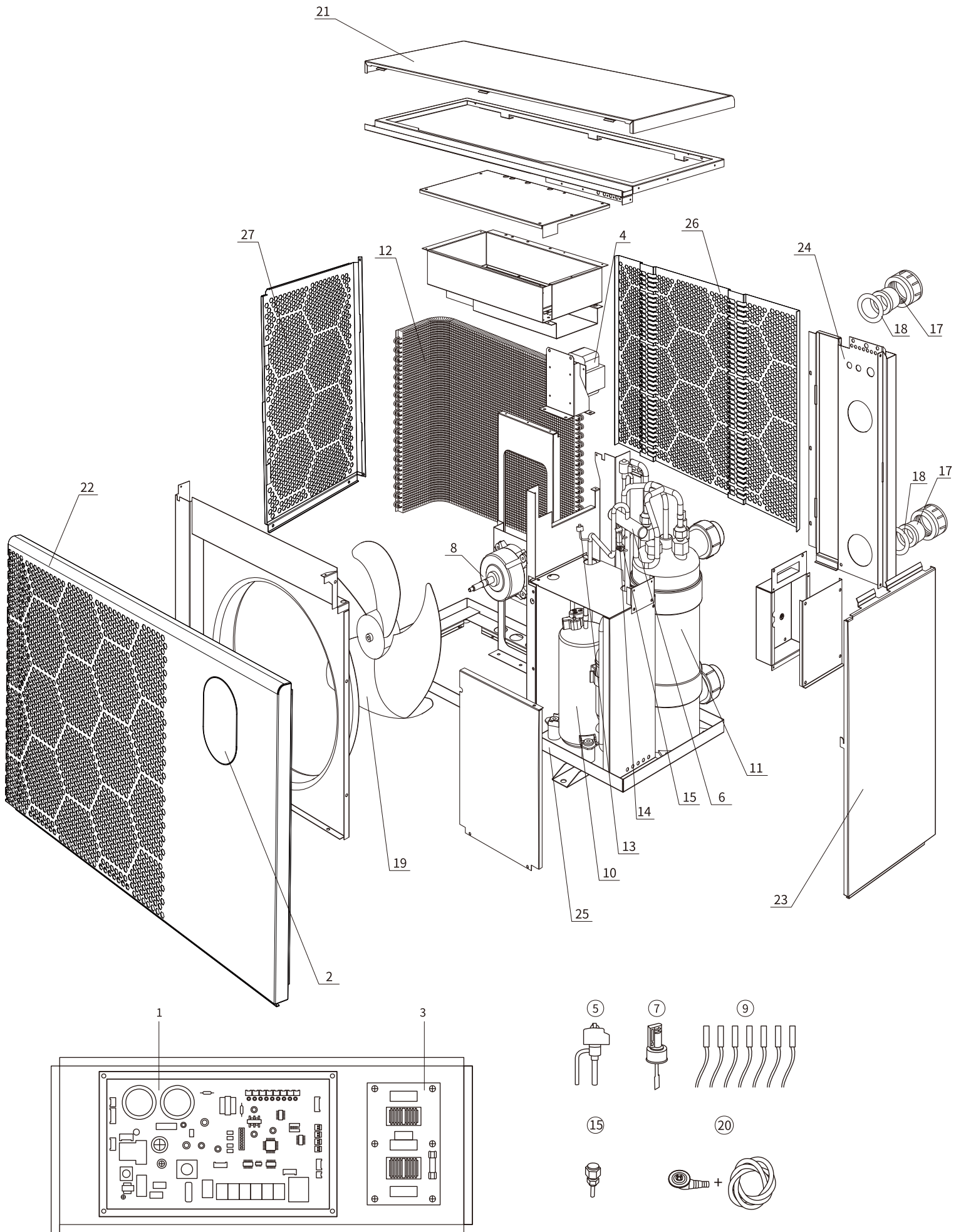
⑳

Drainage kit

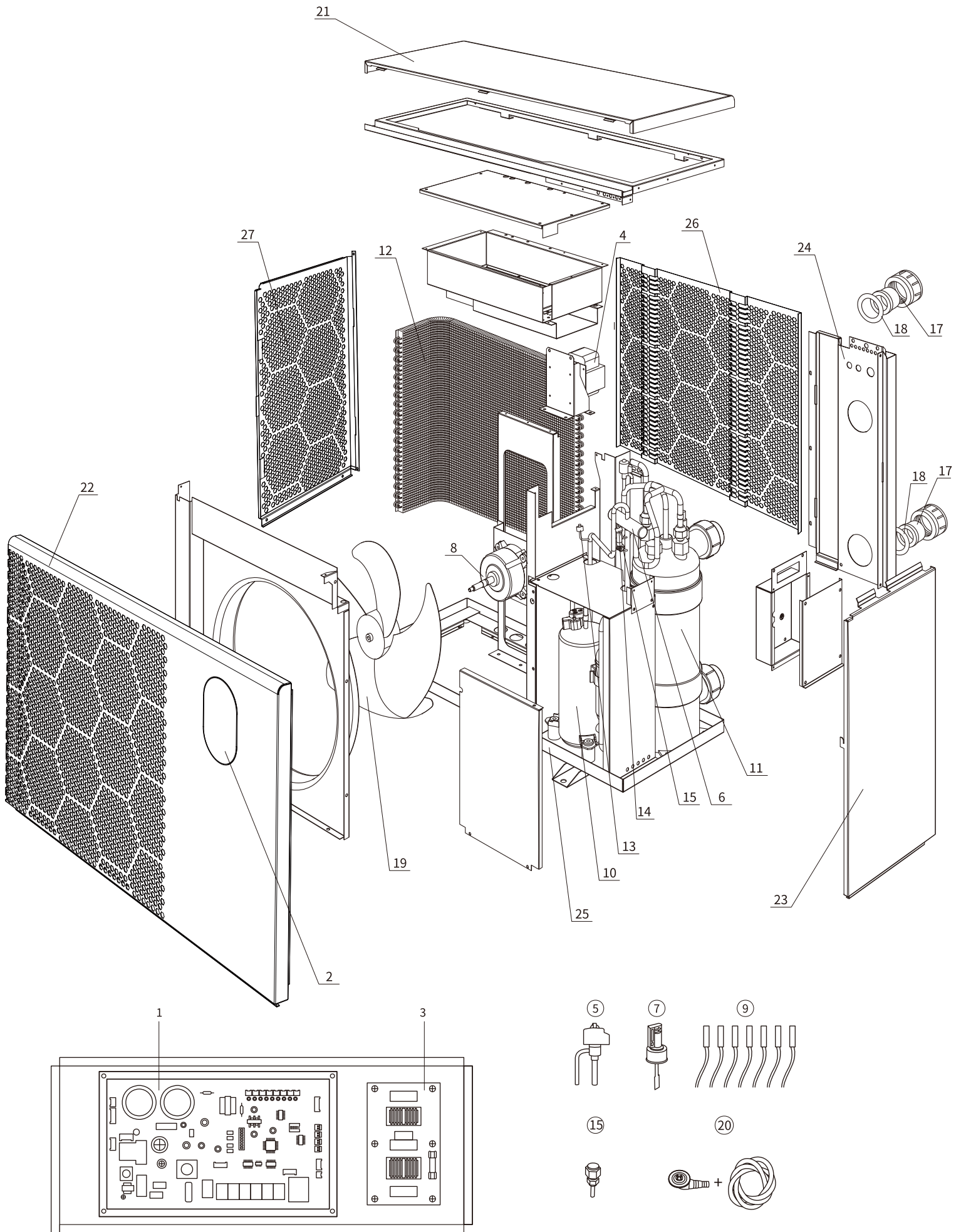


IXCR21

Position	Spare parts	Code
1	Integrated board(Heat & Cool)	033093521000A23
2	Oval touch controller	2005020900012
3	Power filter plate	033092360000
4	Reactor (big)	041301090000
5	Electronic expansion valve	2002010200022
6	4-way valve	006110080001
7	Water flow switch	040060620000
8	Fan motor	032051680000
9	Full set of sensors	Z35043000400
10	Compressor	031064010000
11	Titanium heat exchanger (Heat & Cool)	001031440003
12	Evaporator	001011760000
13	High pressure protection switch	040050630000
14	Low pressure protection switch	040050130000
15	Low Pressure valve	006080500000
16	Liquid reservoir	/
17	Water union (Black, 50mm)	003990020000
18	Water union gasket	004980050003
19	Fan	007010140000
20	Drainage kit	Z03991700000
21	Top cover	002021751700
22	Front Panel	1220020300698
23	Right Up Panel	0020217504Z1
24	Back Panel	0020217505Z1
25	Bottom board	002021750100
26	Back mesh board	0020217502Z1
27	Left mesh board	1220020300671

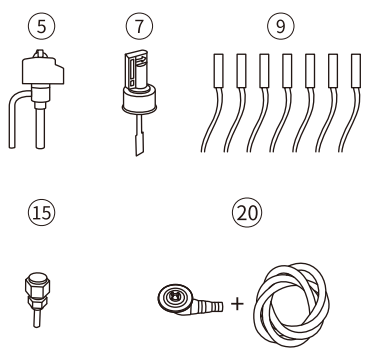
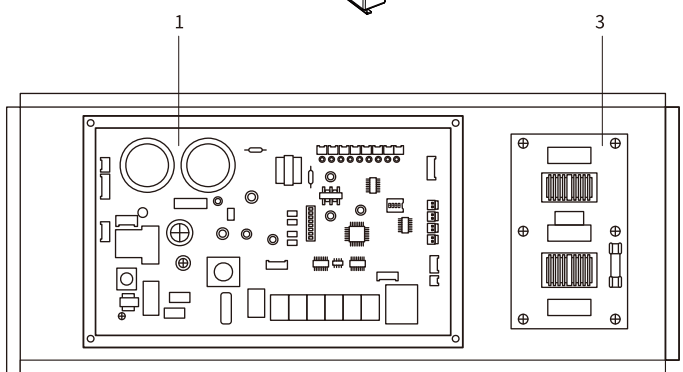
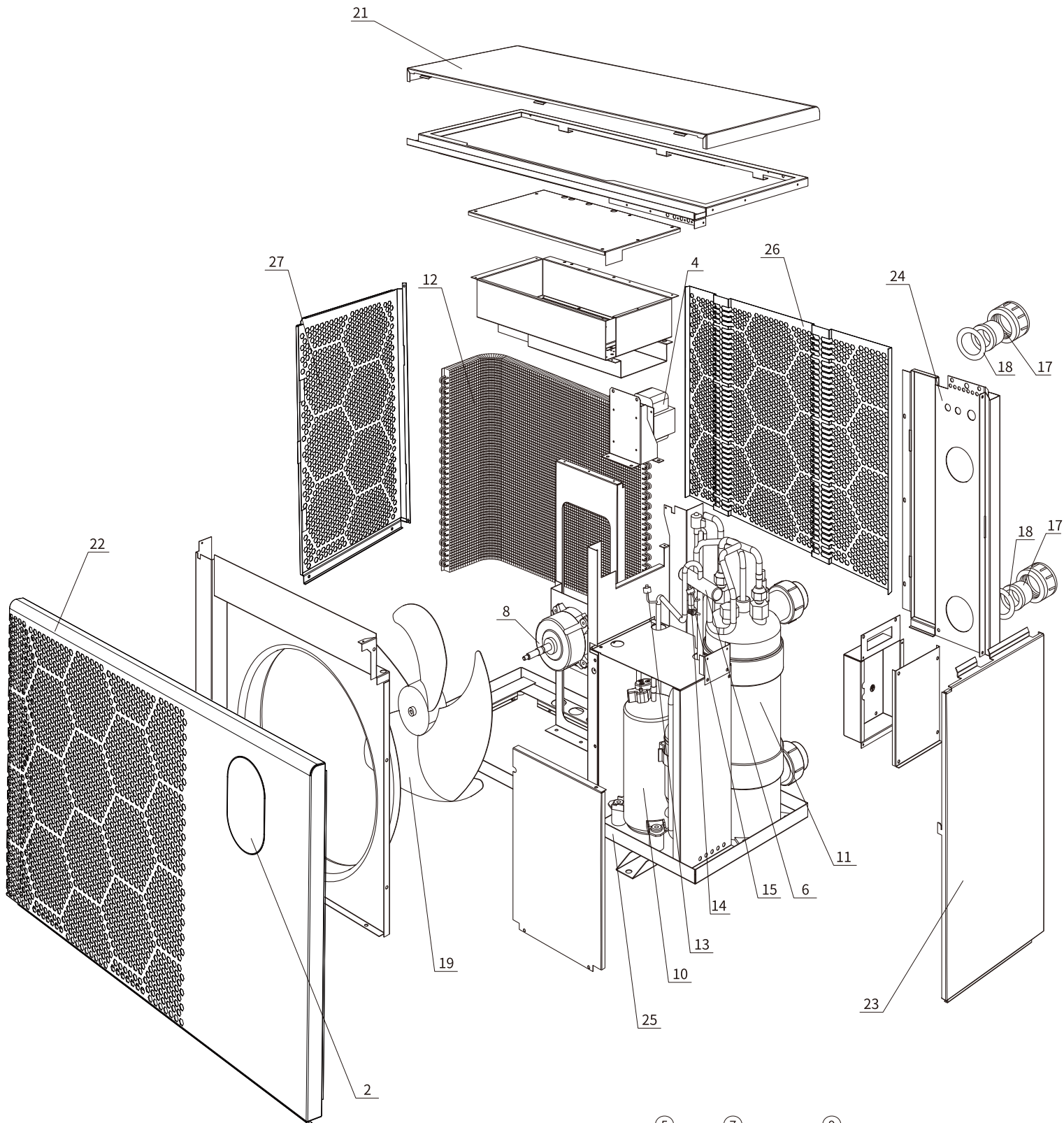


Position	Spare parts	Code
1	Integrated board(Heat & Cool)	033093522000A23.1
2	Oval touch controller	2005020900012
3	Power filter plate	033092360000
4	Reactor (big)	041301090000
5	Electronic expansion valve	2002010200022
6	4-way valve	006110080001
7	Water flow switch	040060620000
8	Fan motor	032051680000
9	Full set of sensors	Z35043000400
10	Compressor	031064010000
11	Titanium heat exchanger (Heat & Cool)	001031440003
12	Evaporator	001011760000
13	High pressure protection switch	040050630000
14	Low pressure protection switch	040050130000
15	Low Pressure valve	006080500000
16	Liquid reservoir	/
17	Water union (Black, 50mm)	003990020000
18	Water union gasket	004980050003
19	Fan	007010140000
20	Drainage kit	Z03991700000
21	Top cover	002021751700
22	Front Panel	1220020300698
23	Right Up Panel	0020217504Z1
24	Back Panel	0020217505Z1
25	Bottom board	'002021750100
26	Back mesh board	0020217502Z1
27	Left mesh board	1220020300671



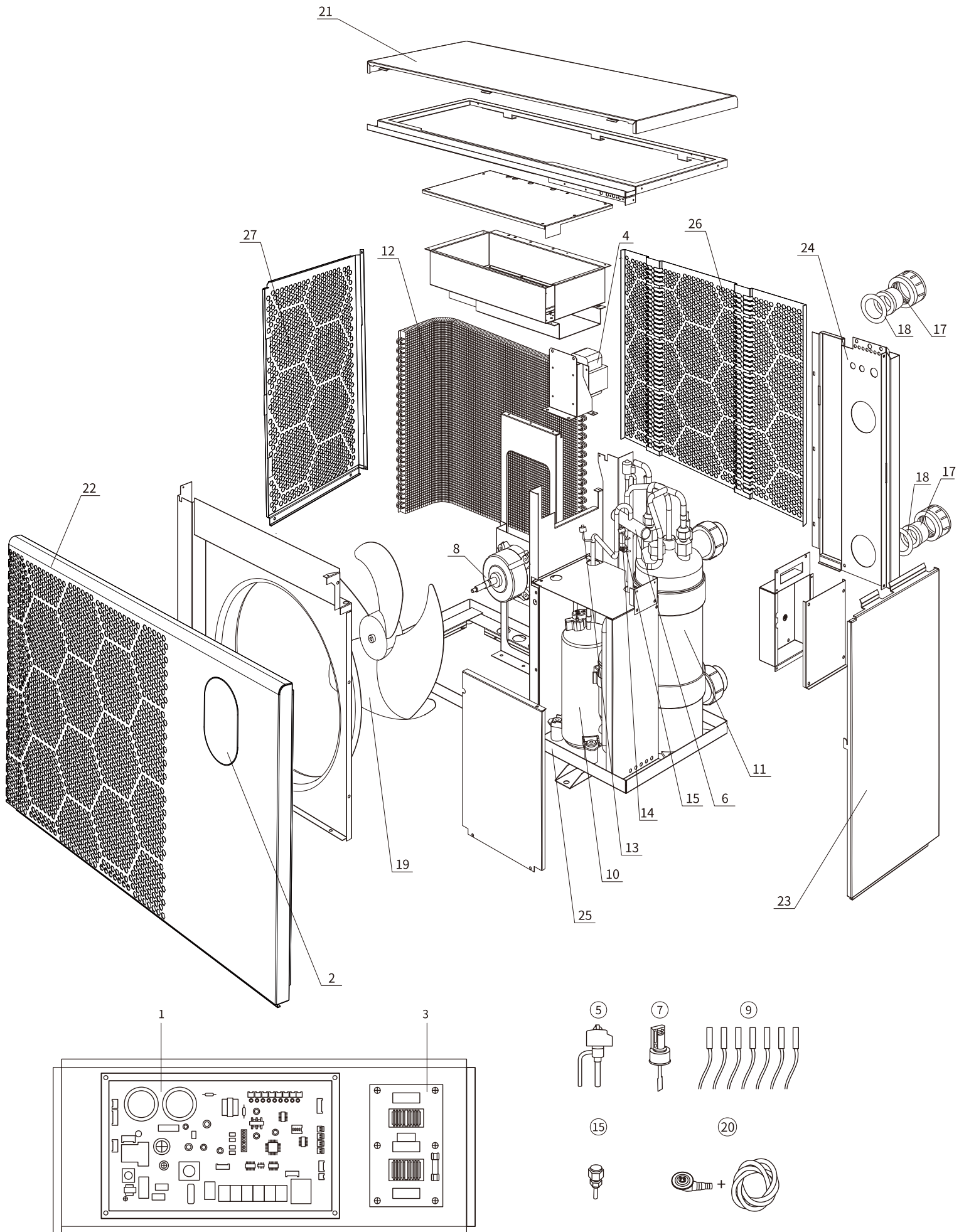
IXCR36

Position	Spare parts	Code
1	Integrated board (Heat & Cool)	033093531600A28.1
2	Oval touch controller	2005020900012
3	Power filter plate	033092330000
4	Reactor (big)	041301080000
5	Electronic expansion valve	006121000001
6	4-way valve	006110080001
7	Water flow switch	040060620000
8	Fan motor	032051700000
9	Full set of sensors	Z35043000400
10	Compressor	031064020000
11	Titanium heat exchanger (Heat & Cool)	001031370003
12	Evaporator	Z01011690000
13	High pressure protection switch	040050630000
14	Low pressure protection switch	040050130000
15	Low Pressure valve	006080500000
16	Liquid reservoir	/
17	Water union (Black, 50mm)	003990020000
18	Water union gasket	004980050003
19	Fan	007010030000
20	Drainage kit	Z03991700000
21	Top cover	002022202000
22	Front Panel	1220020300672
23	Right Up Panel	0020217105Z1
24	Back Panel	0020222017Z1
25	Bottom board	002022201500
26	Back mesh board	0020222015Z1
27	Left mesh board	1220020300671

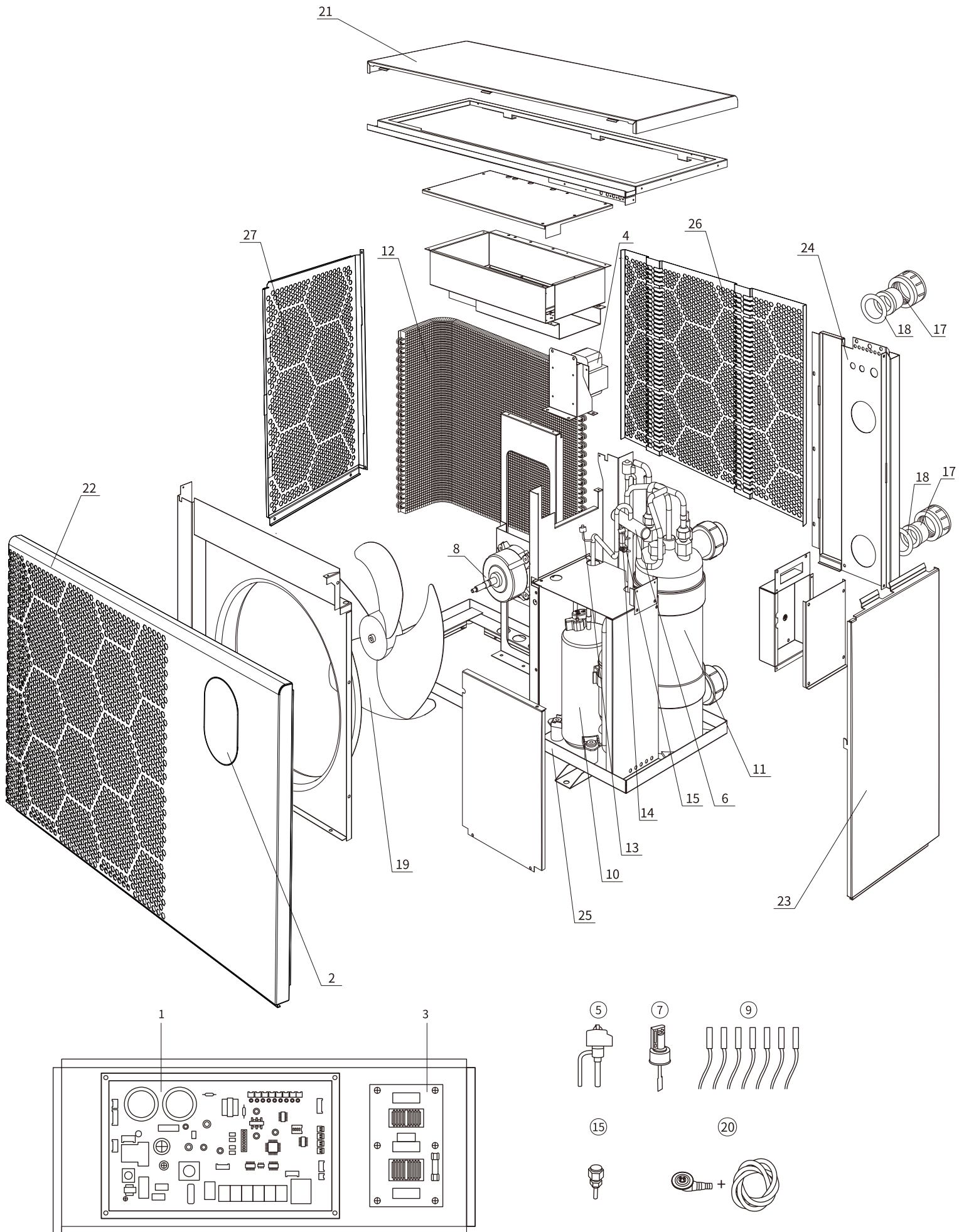


IXCR43

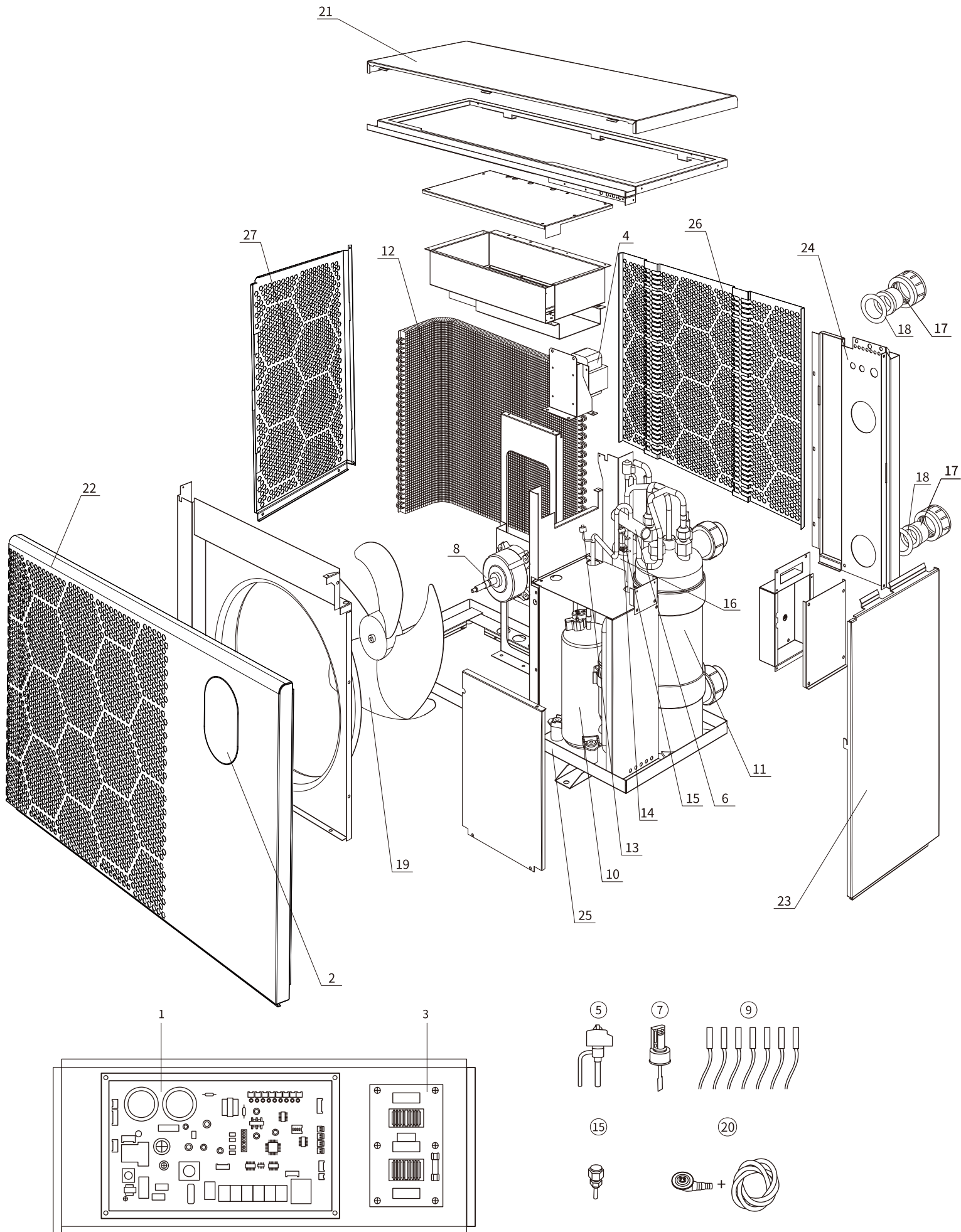
Position	Spare parts	Code
1	Integrated board(Heat & Cool)	033093541500A33
2	Oval touch controller	2005020900012
3	Power filter plate	033092330000
4	Reactor (big)	041301100000
5	Electronic expansion valve	006121000001
6	4-way valve	006110080001
7	Water flow switch	040060620000
8	Fan motor	032051700000
9	Full set of sensors	Z35043000400
10	Compressor	031064020000
11	Titanium heat exchanger(Heat & Cool)	001031110003
12	Evaporator	Z01011700000
13	High pressure protection switch	040050630000
14	Low pressure protection switch	040050130000
15	Low Pressure valve	006080500000
16	Liquid reservoir	/
17	Water union (Black, 50mm)	003990020000
18	Water union gasket	004980050003
19	Fan	007010030000
20	Drainage kit	Z03991700000
21	Top cover	002021711500
22	Front Panel	1220020300676
23	Right Up Panel	0020217105Z1
24	Back Panel	0020217106Z1
25	Bottom board	002021710100
26	Back mesh board	0020217102Z1
27	Left mesh board	1220020300671



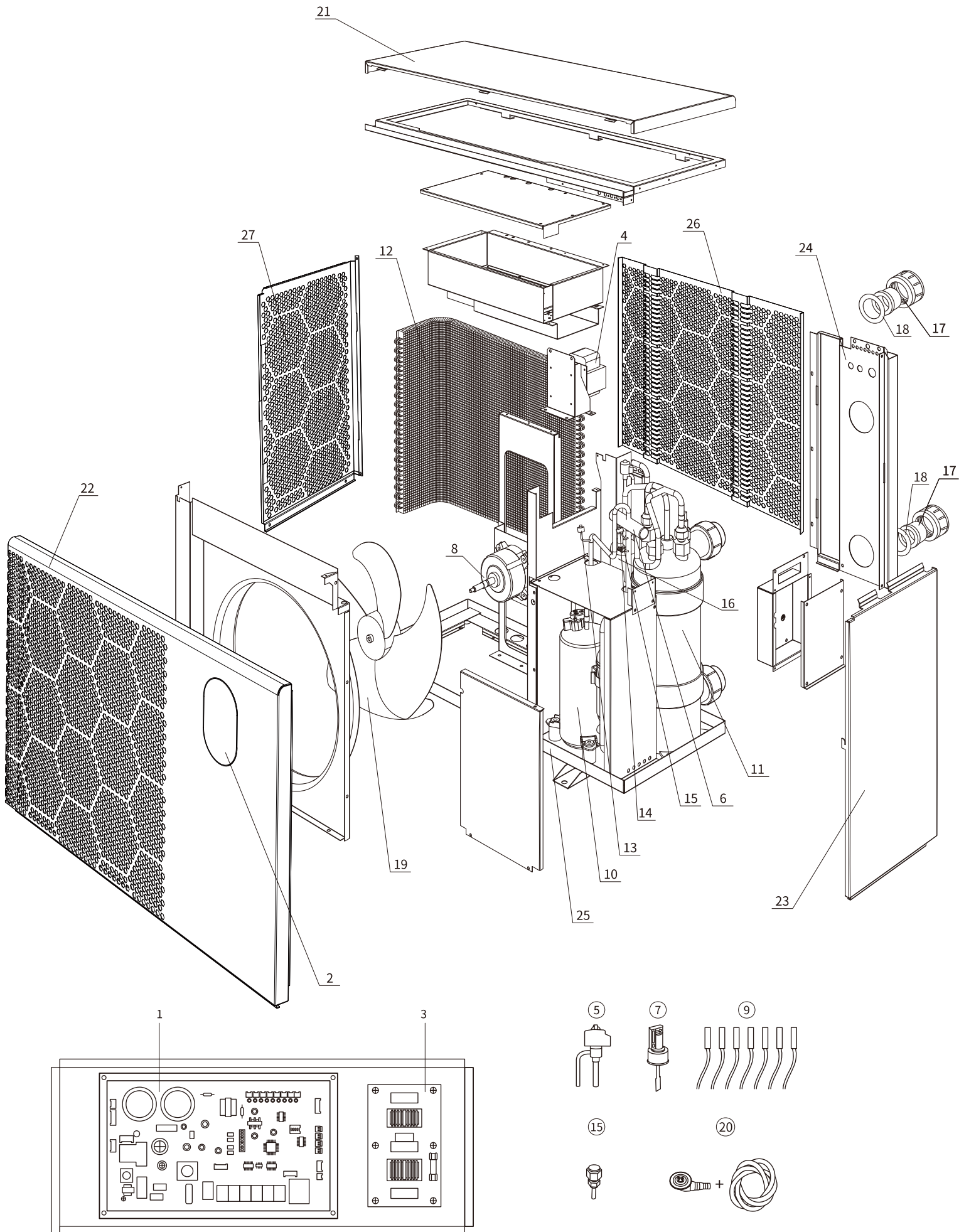
Position	Spare parts	Code
1	Integrated board(Heat & Cool)	033093541600A35.1
2	Oval touch controller	2005020900012
3	Power filter plate	033092330000
4	Reactor (big)	041301100000
5	Electronic expansion valve	006121000001
6	4-way valve	006110080001
7	Water flow switch	040060620000
8	Fan motor	032051700000
9	Full set of sensors	Z35043000400
10	Compressor	031064020000
11	Titanium heat exchanger(Heat & Cool)	001031110003
12	Evaporator	Z01011700000
13	High pressure protection switch	040050630000
14	Low pressure protection switch	040050130000
15	Low Pressure valve	006080500000
16	Liquid reservoir	/
17	Water union (Black, 50mm)	003990020000
18	Water union gasket	004980050003
19	Fan	007010030000
20	Drainage kit	Z03991700000
21	Top cover	002021711500
22	Front Panel	1220020300676
23	Right Up Panel	0020217105Z1
24	Back Panel	0020217106Z1
25	Bottom board	002021710100
26	Back mesh board	0020217102Z1
27	Left mesh board	1220020300671



Position	Spare parts	Code
1	Integrated board(Heat & Cool)	033093551700A48.1
2	Oval touch controller	2005020900012
3	Power filter plate	033092340000
4	Reactor (big)	041301100000
5	Electronic expansion valve	006121010001
6	4-way valve	006110210001
7	Water flow switch	040060620000
8	Fan motor	032051700000
9	Full set of sensors	Z35043000400
10	Compressor	031064060000
11	Titanium heat exchanger (Heat & Cool)	001031220003
12	Evaporator	Z01010650000
13	High pressure protection switch	040050630000
14	Low pressure protection switch	040050130000
15	Low Pressure valve	006080500000
16	Liquid reservoir	/
17	Water union (Black, 50mm)	003990020000
18	Water union gasket	004980050003
19	Fan	007010070000
20	Drainage kit	Z03991700000
21	Top cover	002021722100
22	Front Panel	1220020300680
23	Right Up Panel	0020217205Z1
24	Back Panel	0020217206Z1
25	Bottom board	002021720100
26	Back mesh board	0020217202Z1
27	Left mesh board	1220020300679



Position	Spare parts	Code
1	Integrated board(Heat & Cool)	033093562400A56.1
2	Oval touch controller	2005020900012
3	Power filter plate	033092370000
4	Reactor (big)	041301110000
5	Electronic expansion valve	006121110001
6	4-way valve	006110160001
7	Water flow switch	040060620000
8	Fan motor	032051720000
9	Full set of sensors	Z35043000400
10	Compressor	031076000000
11	Titanium heat exchanger (Heat & Cool)	001031400003
12	Evaporator	Z01011710000
13	High pressure protection switch	040050630000
14	Low pressure protection switch	040050130000
15	Low Pressure valve	006080500000
16	Liquid reservoir	006090040000
17	Water union (Black, 50mm)	003990020000
18	Water union gasket	004980050003
19	Fan	007010080000
20	Drainage kit	Z03991700000
21	Top cover	002021731600
22	Front Panel	1220020300685
23	Right Up Panel	0020217305Z1
24	Back Panel	0020217306Z1
25	Bottom board	002021735100
26	Back mesh board	0020217302Z1
27	Left mesh board	1220020300684



Position	Spare parts	Code
1	Integrated board(Heat & Cool)	033093562500A68.1
2	Oval touch controller	2005020900012
3	Power filter plate	033092370000
4	Reactor (big)	041301110000
5	Electronic expansion valve	006121100001
6	4-way valve	006110160001
7	Water flow switch	040060620000
8	Fan motor	032051720000
9	Full set of sensors	Z35043000400
10	Compressor	031064030000
11	Titanium heat exchanger (Heat & Cool)	001031250003
12	Evaporator	Z01011720000
13	High pressure protection switch	040050630000
14	Low pressure protection switch	040050130000
15	Low Pressure valve	006080500000
16	Liquid reservoir	006090040000
17	Water union (Black, 50mm)	003990020000
18	Water union gasket	004980050003
19	Fan	007010080000
20	Drainage kit	Z03991700000
21	Top cover	002021703200
22	Front Panel	1220020302668
23	Right Up Panel	0020217018Z1
24	Back Panel	0020217019Z1
25	Bottom board	002021701500
26	Back mesh board	0020217015Z1
27	Left mesh board	1220020302669



①

Inverter board



②

PC Board (Heat&Cool)



③

Oval touch controller



④

Contactor (3 phase relay)



⑤

Capacitor (3 phase)



⑥

Power filter plate



⑦

Reactor (big)



⑧

Reactor (small)



⑨

Electronic expansion valve



⑩

4-way valve



⑪

Water flow switch



⑫

Fan motor



⑬

Full set of sensors



⑭

Compressor



⑮

Titanium heat exchanger (Heat&Cool)



⑯

Evaporator



⑰

High pressure protection switch



⑱

Low pressure protection switch



⑲

Low pressure valve



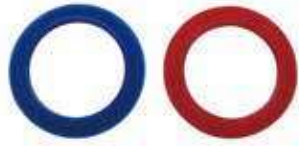
⑳

Liquid reservoir



②1

Water union



②2

Water union gasket



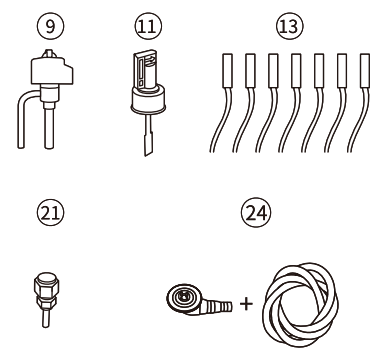
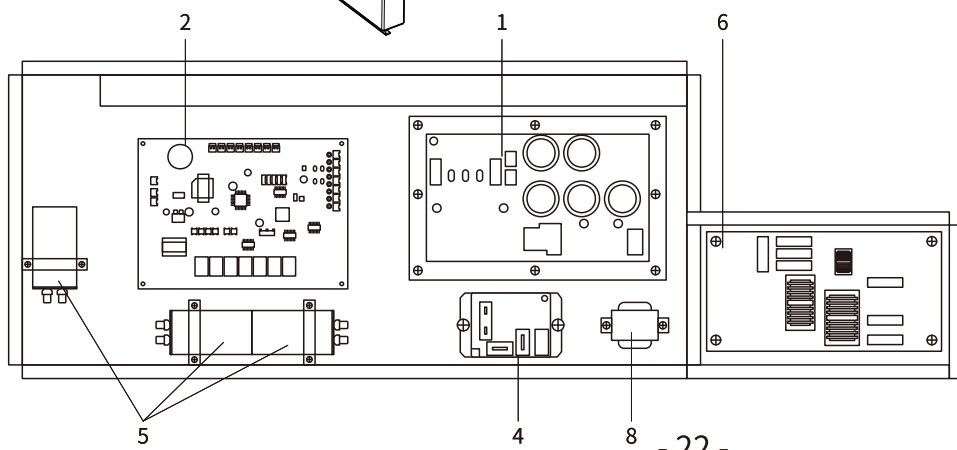
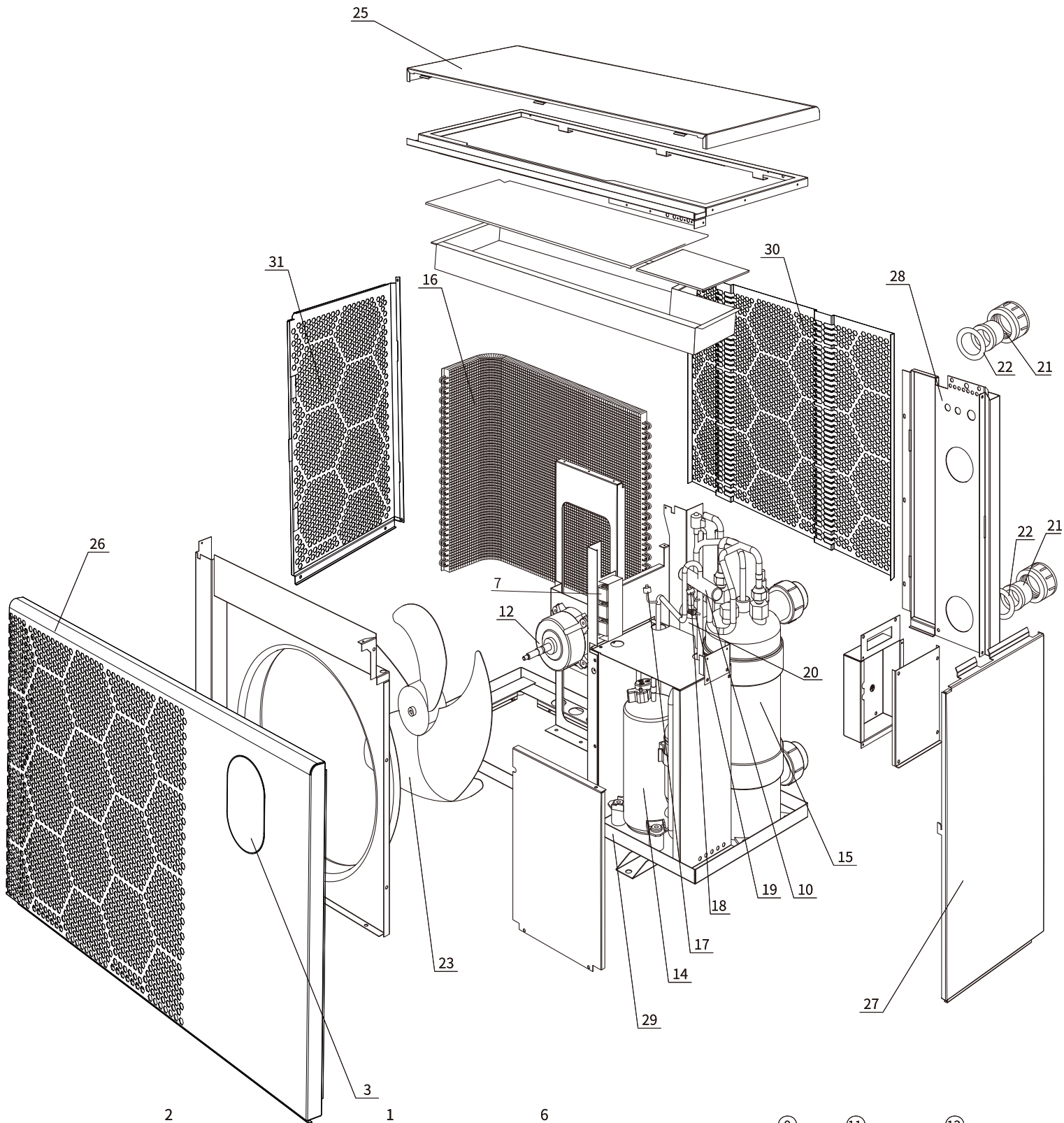
②3

Fan



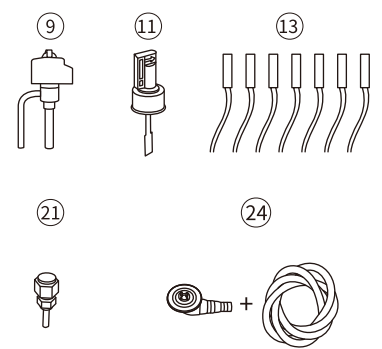
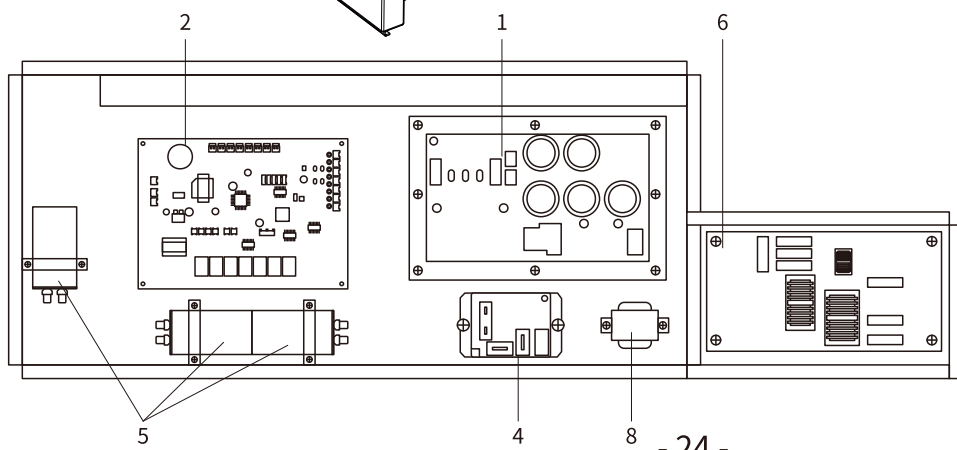
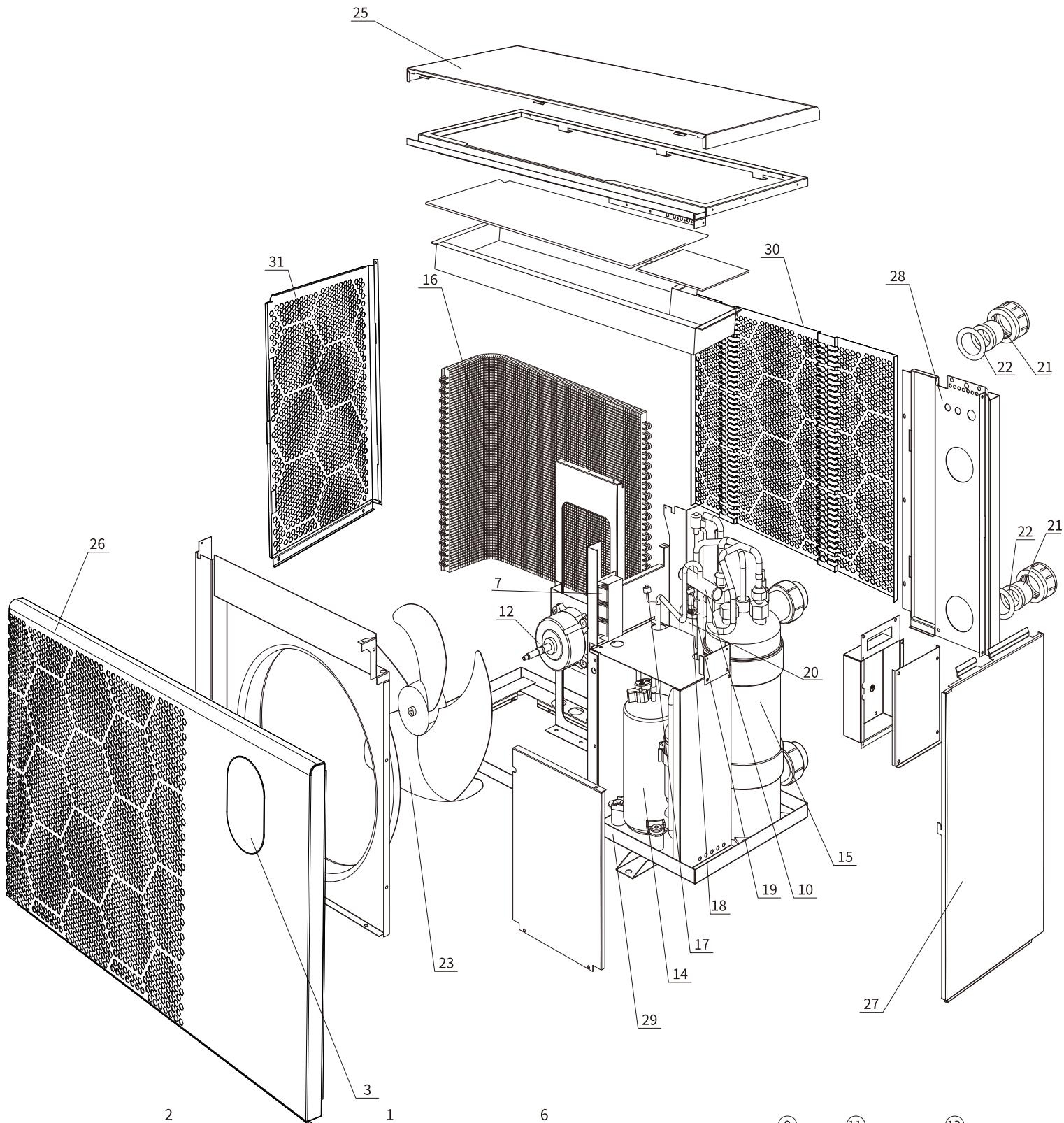
②4

Drainage kit



IXCR80T

Position	Spare parts	Code
1	Inverter board	033093050000
2	PC board(Heat & Cool)	033090450600A68.1s
3	Oval touch controller	2005020900012
4	Contactora (3 phase relay)	033990120000
5	Capacitor (3 phase)	041020250000
6	Power filter plate	033090650000
7	Reactor (big)	041301050000
8	Reactor (small)	041301070000
9	Electronic expansion valve	006121100001
10	4-way valve	006110160001
11	Water flow switch	040060620000
12	Fan motor	032051720000
13	Full set of sensors	Z35043000400
14	Compressor	031064030000
15	Titanium heat exchanger(Heat & Cool)	001031250003
16	Evaporator	Z01011720000
17	High pressure protection switch	040050630000
18	Low pressure protection switch	040050130000
19	Low Pressure valve	006080500000
20	Liquid reservoir	006090040000
21	Water union (Black, 50mm)	003990020000
22	Water union gasket	004980050003
23	Fan	007010080000
24	Drainage kit	Z03991700000
25	Top cover	002021703200
26	Front Panel	1220020302668
27	Right Up Panel	0020217018Z1
28	Back Panel	0020217019Z1
29	Bottom board	002021701500
30	Back mesh board	0020217015Z1
31	Left mesh board	1220020302669



IXCR110T

Position	Spare parts	Code
1	Inverter board	033093060000
2	PC board (Heat & Cool)	033090450600A78.1s
3	Oval touch controller	2005020900012
4	Contactora (3 phase relay)	033990120000
5	Capacitor (3 phase)	041020350000
6	Power filter plate	033090650000
7	Reactor (big)	041301060000
8	Reactor (small)	041301070000
9	Electronic expansion valve	006121100001
10	4-way valve	006110160001
11	Water flow switch	040060620000
12	Fan motor	032051720000
13	Full set of sensors	Z35043000400
14	Compressor	031064030000
15	Titanium heat exchanger(Heat & Cool)	001031250003
16	Evaporator	Z01011730000
17	High pressure protection switch	040050630000
18	Low pressure protection switch	040050130000
19	Low Pressure valve	006080500000
20	Liquid reservoir	006090040000
21	Water union (Black, 50mm)	003990020000
22	Water union gasket	004980050003
23	Fan	007010080000
24	Drainage kit	Z03991700000
25	Top cover	002021741700
26	Front Panel	1220020302682
27	Right Up Panel	0020217018Z1
28	Back Panel	0020217406Z1
29	Bottom board	002021740100
30	Back mesh board	0020217403Z1
31	Left mesh board	1220020302681