

Filtration Units

A COMPLETE AND HOMOGENEOUS RANGE

- 40 to 50 micron filtration
- **High shock resistance** thanks to its highly resilient construction
- **Strong**, high output motor



Vari-Flo™
6-position valve



Drain with plug
which serves as a
dismantling tool



Sand easily
accessible by
removing the collar

- 1 Hayward® Vari-Flo™, with selection handle for easy selection of one of the 6 valve/filter positions. The built-in flow indicator is a way of monitoring the backwash cycle.
- 2 Clamping collar allows the valve to turn through 360° to facilitate connection.
- 3 Integrated top diffuser guaranteeing consistent distribution of water on the sand bed. Internal tubing dimensioned to reduce load losses.
- 4 Corrosion-proof tank of high density blown polyethylene in solid colour built to resist bad weather with minimum maintenance.
- 5 High performance water recovery manifold with self-cleaning strainers perforated through 360°.

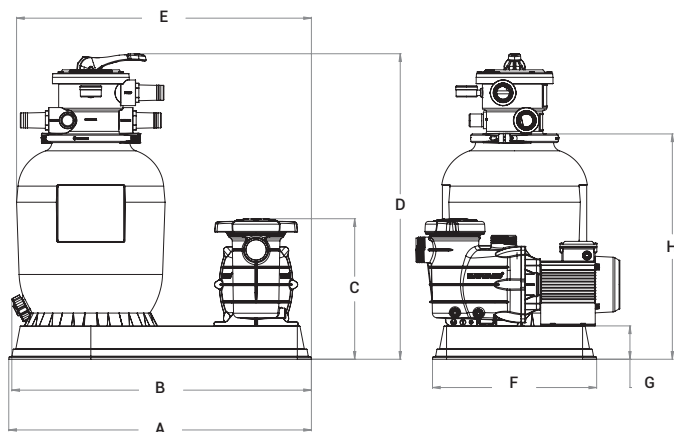


Technical Specifications

Max. water temperature	40°C
Operating pressure	0.5 - 1.3 bar
Maximum pressure	3.5 bar
Connection	1.5"
Tank	Blown polyethylene, suitable for saltwater
Granulometry of filtration media	0.4 ÷ 0.8 mm - 40 to 50 µm

Dimensions / mm

Ref.	A	B	C	D	E	F	G	H
S144T8102	749	742	348	756	730	406	83	558
S166T8103	771	749	348	806	749	406	83	607
S210T8105	806	749	348	964	806	406	83	607
S210T8107	806	749	348	964	806	406	83	607
S244T8110	851	749	348	1071	851	406	83	873



FILTRATION UNITS

Flow rate	Filtration Surface	∅ Tank	Sand	Valve	Pump	∅ Pipes	Pressure gauge	Sight glass	Item
5 m³/h	0.10 m²	350 mm	25 kg*	SP0714TE**	0.25 HP	38 mm	Yes	Yes	S144T8102
6 m³/h	0.13 m²	400 mm	50 kg*	SP0714TE**	0.33 HP	38 mm	Yes	Yes	S166T8103
8 m³/h	0.20 m²	500 mm	100 kg*	SP0714TE**	0.5 HP	38 mm	Yes	Yes	S210T8105
10 m³/h	0.20 m²	500 mm	100 kg*	SP0714TE**	0.75 HP	38 mm	Yes	Yes	S210T8107
14 m³/h	0.28 m²	600 mm	150 kg*	SP0714TE**	1 HP	38 mm	Yes	Yes	S244T8110

* Sand not supplied

** 6 way valve (Filtration, backwash, waste, circulation, rinse and close) + 1 neutral position (winter)